

Mini Air Compressors

小型空壓機系列





Mini Air Compressor



We manufacture compressors with high reliability and stability of performance, efficient and effective satisfaction of client. Let BLOWTAC oil free air compressor be the best choice of your solution !

Features:

- Portable and lightweight
- Maintenance free
- Thermally protected
- Low noise
- Auto stop
- Pressure-adjustable

Wide Range Specifications

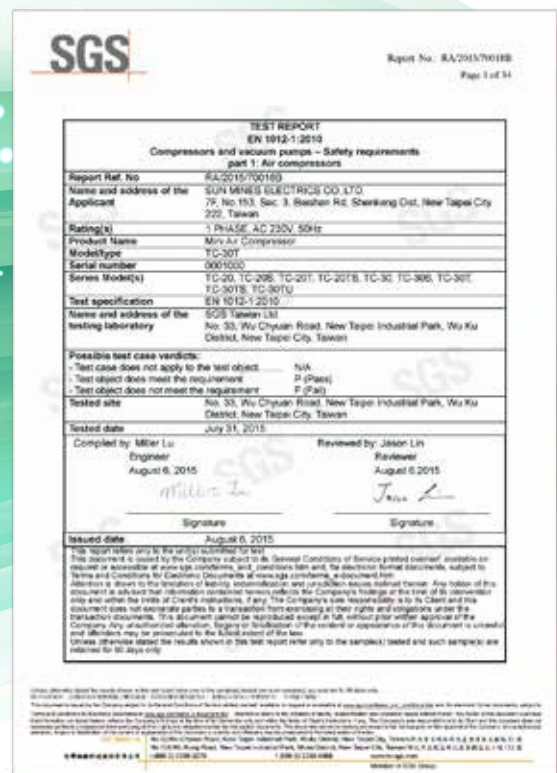


Best Quality

Customized



Certification:





Mini Air Compressor



We've TC-10,TC-20,TC-30 oil free mini air compressor for air brush, tanning solution spraying, injection gun or meso-gun for skin beauty. We also produce big flow and 40 bar high working pressure oil free compressor for pet blowing machine.

Applications:

- Tanning activities
- Medical purpose: Sputum machine.

Dental Suction. Blood Analyser.

- Inflate : Tire.Balloom. Swimming Ring
- Painting : Tattoo. Nail art. Make up.

Cake decoration. Model/Hobby paint



Tanning activities



Tattoo



Hobby paint



Tire inflate



Make up



Nail art



Cake decoration



Dental Suction



Blood Analyser



Sputum machine

Compressor Parts:



TC-10 Series



TC-10



TC-10 A Type

with adjustable knob

Specification

Model	Power		Flow		Standard Switch Setting	Max pressure		Tank L	Dimension cm	Weight kgs
	Hp	W	L/min	CFM		kgs/cm2	psi			
TC-10	1/10	75	10	0.35	-	3	40	-	17.5 x 11.5 x 14	2.2

Specification

Model	Power		Flow		Standard Switch Setting	Max pressure		Tank L	Dimension cm	Weight kgs
	Hp	W	L/min	CFM		kgs/cm2	psi			
TC-20	1/8	100	20	0.7	start at 40 psi stop at 60 psi	6.5	95	-	26 x 14 x 17	4.0
TC-20S	1/8	100	20	0.7	start at 40 psi stop at 60 psi	6.5	95	-	27.5 x 12.5 x 22	5.8
TC-20T	1/8	100	20	0.7	start at 60 psi stop at 80 psi	6.5	95	2.5	28 x 13 x 32	5.8
TC-20TS	1/8	100	20	0.7	start at 60 psi stop at 80 psi	6.5	95	2.5	31.3 x 16 x 36	8.2

TC-20 Series

TC-20



TC-20 A Type
with protective cover



TC-20S

TC-20T Series



TC-20TS A Type



TC-20TS B Type

TC-20T



Specification

Model	Power		Flow		Standard Switch Setting	Max pressure		Tank L	Dimension cm	Weight kgs
	Hp	W	L/min	CFM		kgs/cm2	psi			
TC-30	1/6	125	40	1.48	start at 60 psi stop at 80 psi	6.5	95	-	31.5 x 15.5 x 21.5	5.6
TC-30S	1/6	125	40	1.48	start at 60 psi stop at 80 psi	6.5	95	-	32.8 x 14.6 x 22	7.0
TC-30T	1/6	125	30	1.45	start at 60 psi stop at 80 psi	6.5	95	3.5	34.5 x 15 x 32	7.6
TC-30TS	1/6	125	40	1.45	start at 60 psi stop at 80 psi	6.5	95	3.5	37.5 x 16 x 36.5	10.4
TC-30TU	1/6	125	30	1.45	start at 60 psi stop at 80 psi	6.5	95	2.5	28.5 x 28 x 25.5	9.0

TC-30 Series



TC-30S

TC-30T Series



TC-30TS



TC-30TU



TC-30T

TC-20V Series

TC-20V



TC-20TV



TC-30V Series

TC-30V



TC-30TV



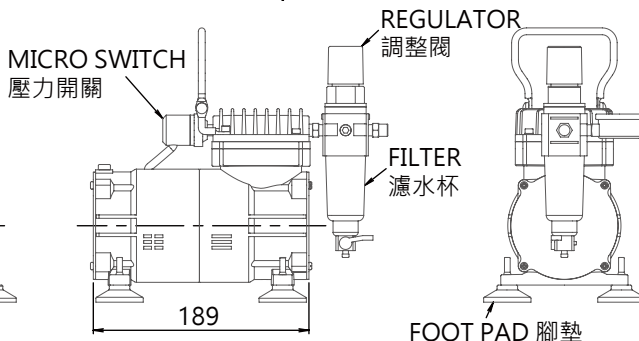
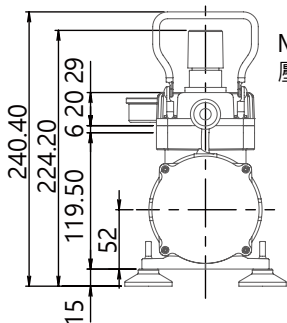
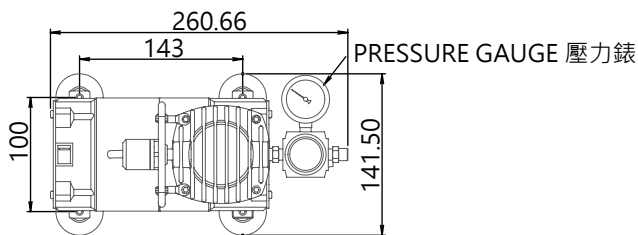
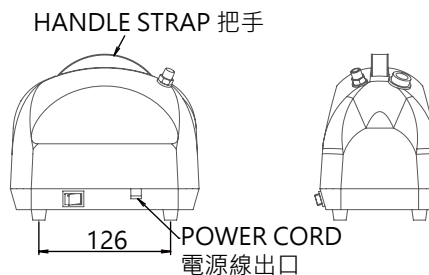
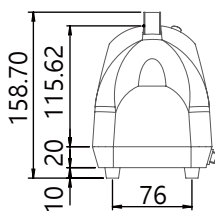
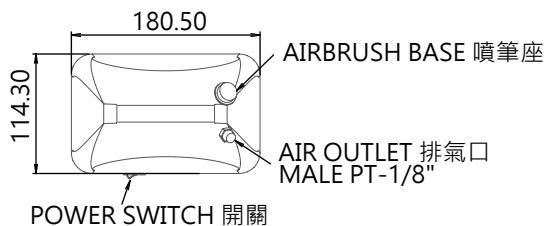
Specification

Model	Power		Flow		Standard Switch Setting	Max pressure		Vacuum	Tank	Dimension	Weight
	Hp	W	L/min	CFM		kgs/cm2	psi				
TC-20V	1/8	100	20	0.7	start at 40 psi stop at 60 psi	7.0	100	-700	-	26 x 14 x 17	4.0
TC-20TV	1/8	100	20	0.7	start at 60 psi stop at 80 psi	7.0	100	-700	2.5	28 x 13 x 32	5.8
TC-30V	1/6	125	40	1.48	start at 60 psi stop at 80 psi	7.0	100	-700	-	31.5 x 15.5 x 21.5	5.6
TC-30TV	1/8	125	30	1.48	start at 60 psi stop at 80 psi	7.0	100	-700	3.5	34.5 x 15 x 32	7.6

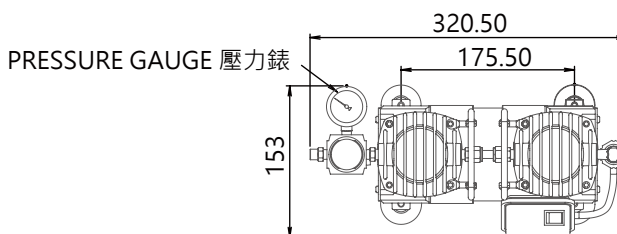
Dimension



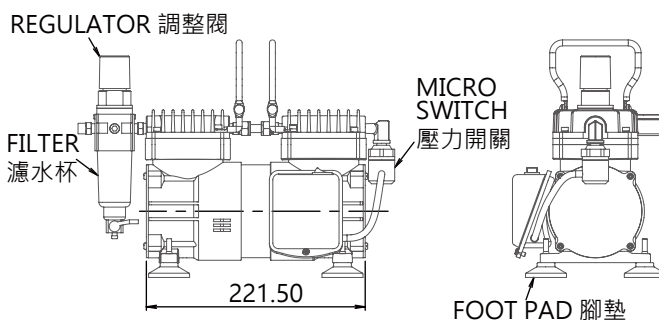
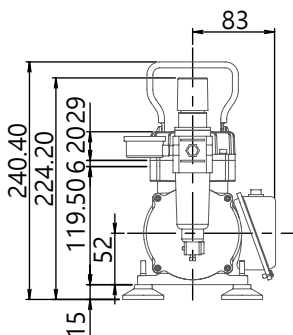
TC-10



TC-20



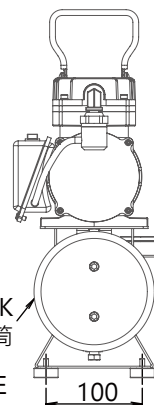
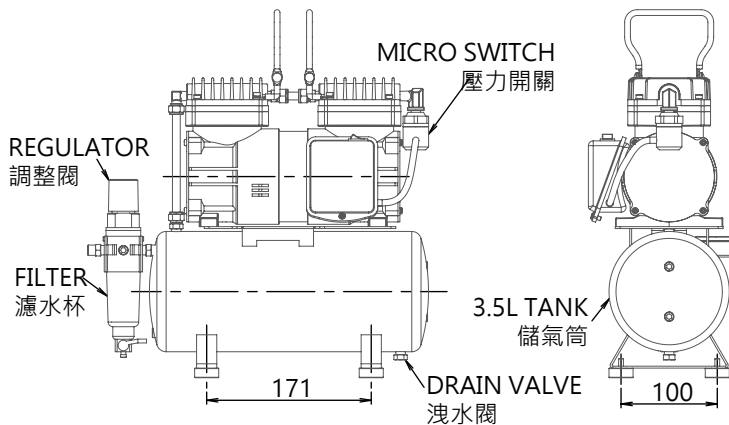
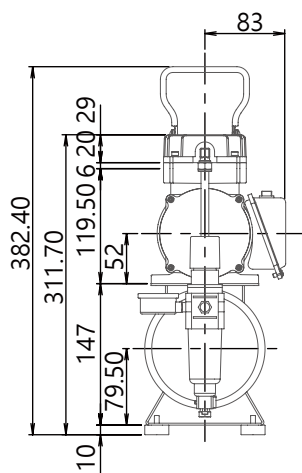
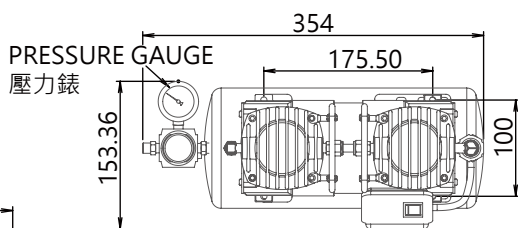
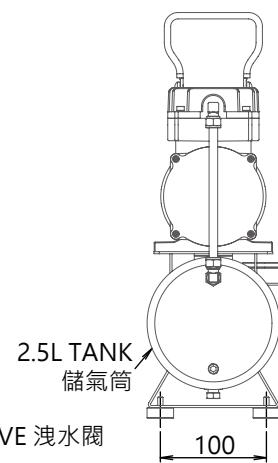
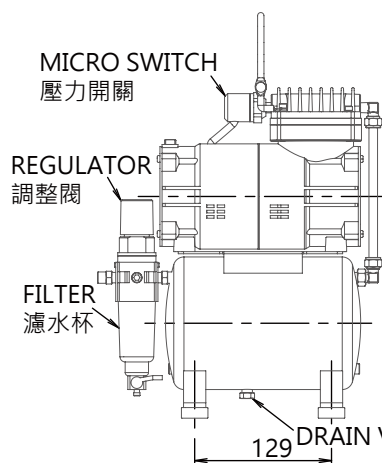
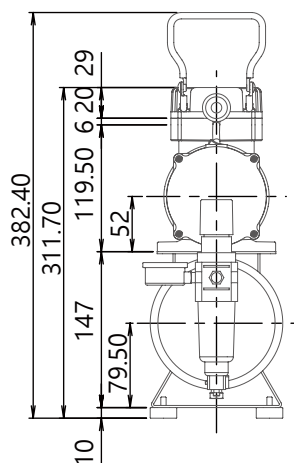
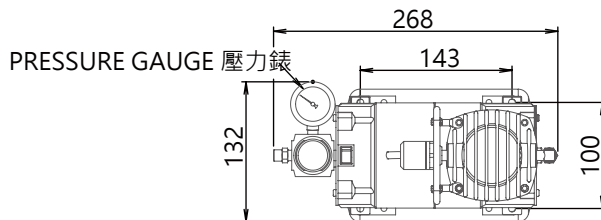
TC-30



Dimension



TC-20T



TC-30T



Mini Air Compressor



We've TC-10,TC-20,TC-30 oil free mini air compressor for air brush, tanning solution spraying, injection gun or meso-gun for skin beauty. We also produce big flow and 40 bar high working pressure oil free compressor for pet blowing machine.

Optional Accessories

- **MODEL NR. :TC-AN**

Spray gun with needle for blowing dust.



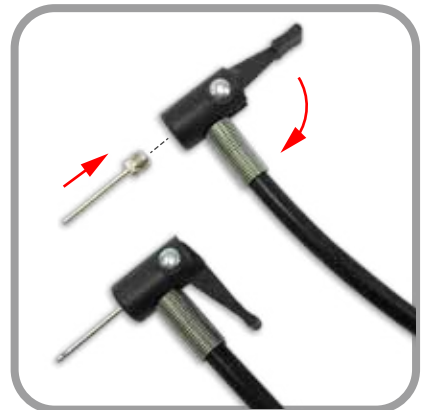
- **MODEL NR. : SB90,SB91**

Inlet with metal reinforcement.
Lightweight & ergonomic.
Design for labor-saving.



- **MODEL NR. : TC-RI**

Bicycle tire inflator and ball inflator with extra needle.



- **MODEL NR. : SA-725**

Dual action trigger.
All metal airbrush.
Inter mix, Gravity-feed
Fluid nozzle: 0.3mm
Working pressure: 15-45psi
Capacity of fixed cup (W/ lid):9 C.C.
Spray control: Back stop screw





BLOWTAC

**SUN MINES
ELECTRICS CO.,LTD**



TEL:+886-2-2662-9292
FAX:+886-2-2662-7575



info@blowtac.com.tw



7F, No.153, Sec. 3, Beishen Rd,
Shenkeng Dist, New Taipei City 222, Taiwan

